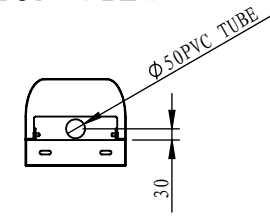
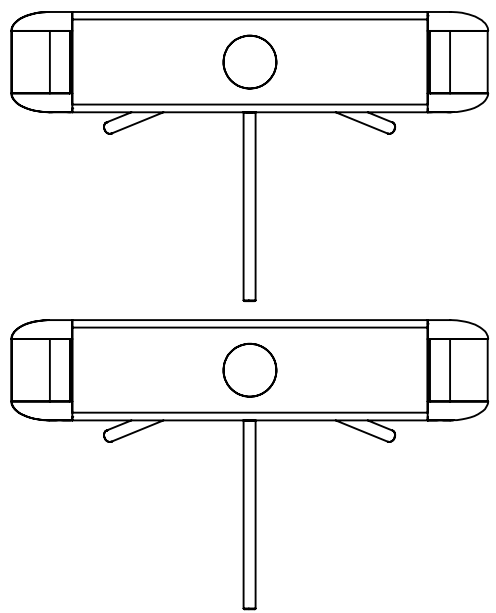


SECTION VIEW A-A



INSTALLATION:

1. FIXING THE EQUIPMENT WITH M10X80 EXPANSION BOLT
2. ARRANGING WIRES WITH Ø50PVC TUBE; THE POWER WIRE FOR THE EQUIPMENT IS 3G2.5 SQUARE

				TITLE: TRIPOD TURNSTILES				DWG. NO. : ES2000	
REVISION MARK	NUMBER OF REVISION	SIGNATURE	DATE	MATERIALS:				PROJECTIVE MARK	FINISH
DESIGNED								— —	
DRAWN				VERSION	NUMBERS	SCALE	TOTAL: PAGE	SHENZHEN ESSENCE INFORMATION TECHNOLOGY CO. , LTD	
CHECKED							PAGE:		
STANDARDIZATION									
APPROVED									